



# Cat<sup>®</sup> Backhoes

SKID STEER LOADERS  
MULTI TERRAIN LOADERS

Cat<sup>®</sup> Backhoes are used for digging footings, drainage ditches, utility trenching, backfilling and maintaining slopes and embankments in a variety of construction, industrial and landscape settings. When paired with Cat Hammers, the backhoes are ideal for demolishing concrete. Equipped with a thumb, they can be used for handling brush and bulky objects, such as rocks and stumps. With an auger, they do extremely well at drilling holes for fence posts, trees and shrubs.

## FEATURES:

### Productivity and maneuverability

- In-cab operation increases productivity by reducing the amount of time required to reposition compared to traditional skid steer loader backhoes, allowing for faster cycle times than competitive units. The compact package of the machine and backhoe allows the operator to maneuver more easily in confined areas and leaves more trailer space for other Cat Work Tools.

### "Best-in-Class" comfort

- Operators can dig, excavate, side-shift and reposition the machine and backhoe without ever leaving the seat. Operators can work with little fatigue because the cab offers safety, comfort and cover from extreme temperatures and inclement weather conditions.

### Manual side-shift

- The BH150 is 736.6 mm (26 in) from left to right for maximum visibility. The BH160 provides 889 mm (35 in) of side-shift from left to right. Side-shift provides the ability to dig close to walls, exposing brick ledges, backfilling and widening trenches.

### Optional auxiliary hydraulic lines

- Optional auxiliary hydraulic lines provide auxiliary flow to the end of the stick to operate 303 Mini Hydraulic Excavator hammers, augers, ditch cleaning buckets, thumbs, and vibratory plate compactors.

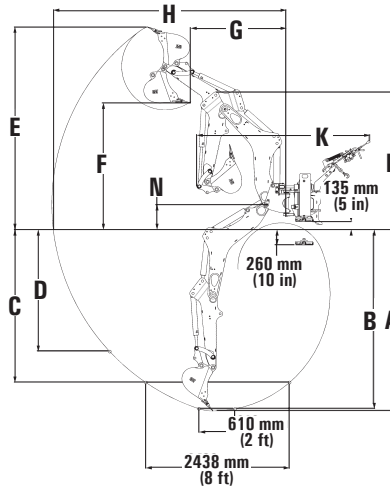
## Compatibility

Model	Machines
BH150	216B, 226B, 232B, 242B, 247B, 257B
BH160	236B, 252B, 246C, 256C, 262C, 272C, 277C, 287C, 297C

Model	Work Tools
BH150/BH160	<p><b>Buckets:</b> Digging: 300 mm (12 in), 400 mm (16 in), 460 mm (18 in), 500 mm (20 in), 600 mm (24 in), 750 mm (30 in)</p> <p>Heavy Duty: 304 mm (12 in), 406 mm (16 in), 457 mm (18 in), 508 mm (20 in), 609 mm (24 in), 762 mm (30 in)</p> <p>Ditch Cleaning: 1000 mm (39 in), 1200 mm (47 in), 1400 mm (55 in)</p> <p>Tilting Ditch Cleaning: 1200 mm (47 in)</p> <p><b>Augers:</b> A14B, A19B, <b>Thumb:</b> 3 ton, <b>Vibratory Plate Compactor:</b> CVP16, <b>Hammers:</b> H55Ds, H65Ds,</p> <p><b>Quick Coupler:</b> 3 ton</p>

# Cat Backhoes

## Specifications



			<b>BH150</b>		<b>BH160</b>	
<b>A</b> Digging depth maximum	mm	(in)	3074	(121)	3074	(121)
<b>B</b> Digging depth 610 mm (2 ft)	mm	(in)	3040	(120)	3040	(120)
<b>C</b> Digging depth 2438 mm (8 ft)	mm	(in)	2593	(102)	2593	(102)
<b>D</b> Straight wall digging depth	mm	(in)	2064	(81)	2064	(81)
<b>E</b> Overall operating height	mm	(in)	3442	(136)	3442	(136)
<b>F</b> Loading height	mm	(in)	2147	(85)	2147	(85)
<b>G</b> Loading reach	mm	(in)	1628	(64)	1628	(64)
<b>H</b> Reach from swing pivot at ground	mm	(in)	3955	(156)	3955	(156)
<b>K</b> Overall length	mm	(in)	2776	(109)	2936	(116)
Stabilizer spread operating position	mm	(in)	1716	(68)	1868	(74)
Total side-shift travel	mm	(in)	822	(32)	974	(38)
Swing arc			180°		180°	
Bucket rotation			192°		192°	
Bucket breakout force	kg	(lb)	3241	(7,146)	3241	(7,146)
Stick breakout force	kg	(lb)	1560	(3,439)	1560	(3,439)
<b>Transport</b>						
<b>L</b> Transport height	mm	(in)	2336	(92)	2336	(92)
<b>N</b> Boom pivot height	mm	(in)	425	(17)	425	(17)
Transport width	mm	(in)	2008	(79)	2008	(79)
Transport length (with 18 in bucket)	mm	(in)	747	(29)	747	(29)
Ground clearance	mm	(in)	85.7	(3.4)	85.7	(3.4)
Operating weight	kg	(lb)	1023	(2,256)	1047	(2,309)

For more complete information on Cat products, dealer services, and industry solutions, visit us on the web at [www.cat.com](http://www.cat.com)

AEHQ5844 (11-06)

© 2006 Caterpillar  
All Rights Reserved  
Printed in U.S.A.

Replaces AEHQ5698

Materials and specifications are subject to change without notice. Featured machines in photos may include additional equipment. See your Caterpillar dealer for available options.

CAT, CATERPILLAR, their respective logos, "Caterpillar Yellow," and the POWER EDGE trade dress, as well as corporate and product identity used herein, are trademarks of Caterpillar and may not be used without permission.

**CATERPILLAR®**